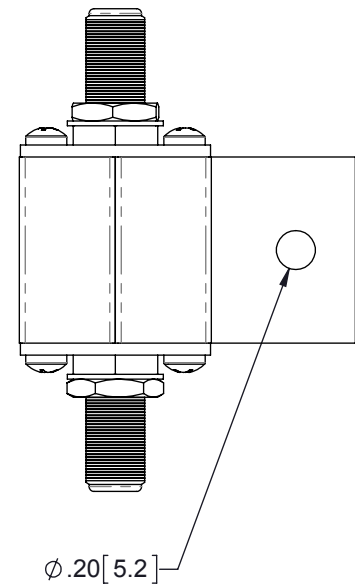
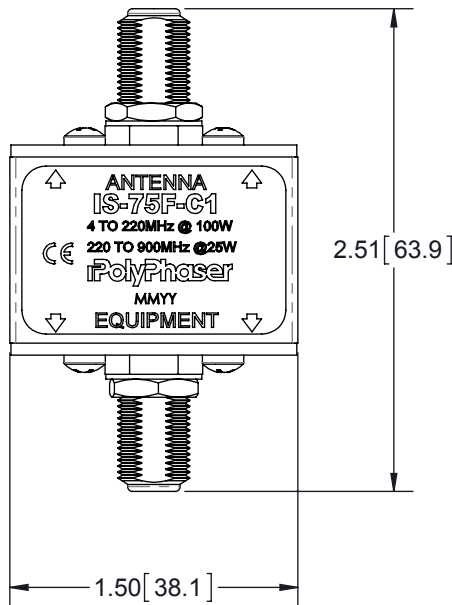
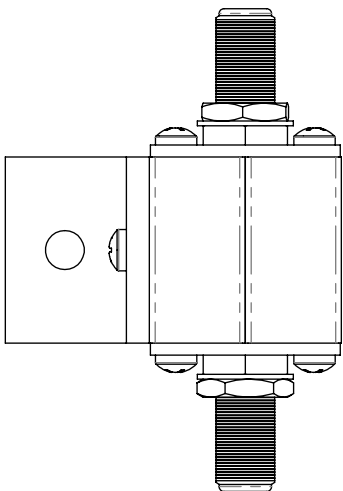


REVISIONS				
REV.	DESCRIPTION	ECN	DATE	APPROVED
G	REFER TO ECN	11347	1/30/13	KCB



MAXIMUM CHARACTERISTICS

SURGE:
50kA IEC 61000-4-5 8/20µs WAVEFORM 500 J

TURN-ON:
600Vdc ±20%

TURN-ON TIME:
2.5ns FOR 2kV/ns

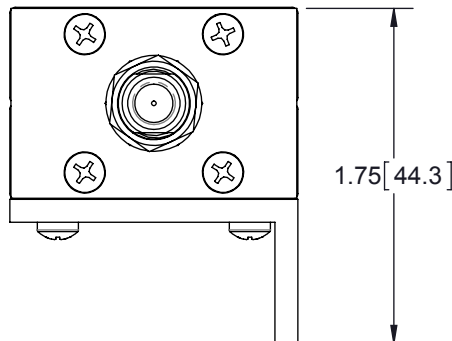
POWER:
HF 100W, VHF 100W, UHF 25W

FREQUENCY RANGE:
4MHz TO 900MHz

VSWR:
≤1.2:1 OVER FREQ RANGE

INSERTION LOSS:
≤0.2dB OVER FREQ RANGE

TEMPERATURE:
-45°C +85°C STORAGE/OPERATING +50°C



CUSTOMER APPROVAL: _____ DATE: _____

ALL DIMENSIONS SHOWN ARE FOR REFERENCE ONLY.

UNLESS OTHERWISE SPECIFIED LEADING DIMENSIONS ARE INCHES DIMENSIONS IN [] ARE MILLIMETERS	DRAWN C. GASPARINI	DATE 02/12/96	PolyPhaser		SHEET 1 OF 1		
	ENG APPD O. AKDAG	DATE 02/13/96			SCALE 1:1		
TOLERANCES: FRACTIONS=± 1/32 .XX=± .01 ANGLES=± 1° .XXX=± .005	PRODUCT MGR		TITLE CUSTOMER PRINT IS-75F-C1 CUSTOMER SPECIFICATION				
NOTICE: THE INFORMATION AND DESIGN IN THIS DOCUMENT IS THE PROPERTY OF POLYPHASER CORPORATION. ALL RIGHTS RESERVED.	MARKETING APPD R. MATHEUS	DATE 02/13/96					
THIRD-ANGLE PROJECTION 	PROJECT NO.		SIZE	CAGE	PROD CAT	PART NUMBER	REV
	IS-75F-C1-C		A	61114	RFP	IS-75F-C1	G

THESE COMMODITIES, TECHNOLOGY OR SOFTWARE WERE EXPORTED FROM THE UNITED STATES IN ACCORDANCE WITH THE EXPORT ADMINISTRATION REGULATIONS. DIVERSION CONTRARY TO U.S. LAW PROHIBITED.