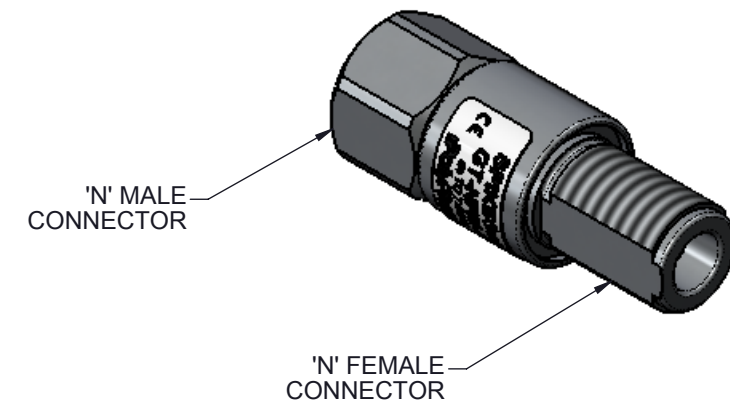
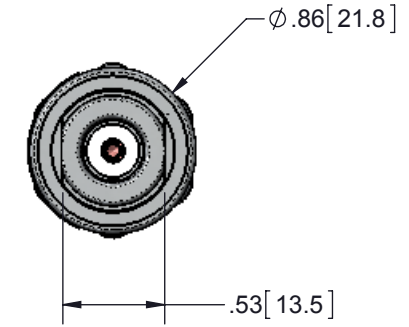
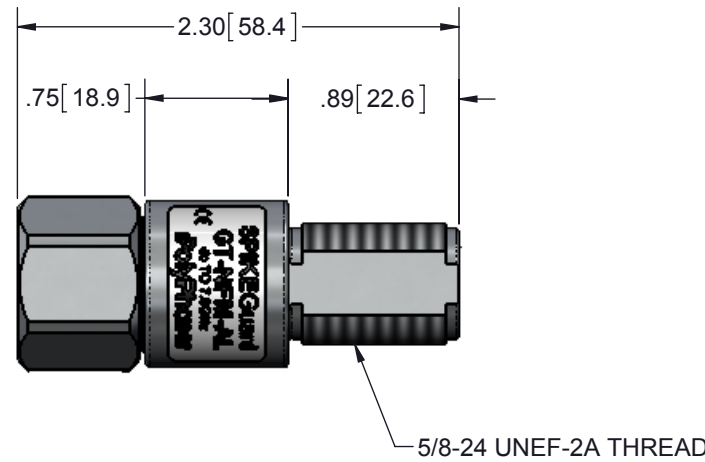
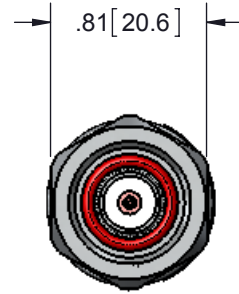


REVISIONS				
REV.	DESCRIPTION	ECN	DATE	APPROVED
E	REFER TO ECN	11928		
F	ADD IP67	11988	9/10/2013	JJ



HARDWARE INCLUDED:

QTY	DESCRIPTION
1	BRACKET MOUNTING AL 5052-H32
2	NUT 8-32 HEX 18-8 SS
2	WASHER #8 410 SS INTERNAL
2	SCREW 8-32x.50 PHIL MS PAN 18-8 SS
1	NUT 5/8-24 303 HEX SS
1	O-RING 016 SILICONE

MAXIMUM CHARACTERISTICS

APPLICATION:
BULKHEAD MOUNT/ALUMINUM CONSTRUCTION
WEATHER PROOF WHEN INSTALLED

FREQUENCY RANGE:
dc TO 7.0GHz

MAX RF POWER:
90W/CW @ 30MHz
9W/CW @ 3GHz

VSWR:
dc TO 3.0GHz @ ≤1.1 TO 1
dc TO 4.0GHz @ ≤1.2 TO 1
dc TO 7.0GHz @ ≤1.4 TO 1

INSERTION LOSS:
dc TO 4.0GHz @ ≤0.1dB
dc TO 7.0GHz @ ≤0.25dB

RETURN LOSS:
dc TO 3.0GHz @ ≥30dB
dc TO 4.0GHz @ ≥23dB
dc TO 7.0GHz @ ≥15dB

DISCHARGE DEVICE CHARACTERISTICS

SURGE:
20kA ONE TIME @ IEC 61000-4-5 8/20µs WAVEFORM

IMPULSE SPARKOVER:
500 VOLTS @ 1000V/µs

dc SPARKOVER ±20%:
300 VOLTS

dc HOLDOVER:
80 VOLTS @ <150ms

MAX OPERATING CURRENT:
10A

TEMPERATURE:
-55°C TO +85°C STORAGE/OPERATING

ENVIRONMENTAL:
MEETS IEC 60529 IP67

CE COMPLIANT
RoHS COMPLIANT

CUSTOMER APPROVAL: _____ DATE: _____

ALL DIMENSIONS SHOWN ARE FOR REFERENCE ONLY.

UNLESS OTHERWISE SPECIFIED LEADING DIMENSIONS ARE INCHES DIMENSIONS IN [] ARE MILLIMETERS	DRAWN	RJS	DATE					
	ENG APPD	RCD	3/6/07					
TOLERANCES: FRACTIONS=± 1/32 .XX=± .03 ANGLES=± 1° .XXX=± .010	PRODUCT MGR	JJ	3/5/07	TITLE GAS TUBE NON-REPLACEABLE dc-6GHz 50-100W N M/FEM <small>CUSTOMER SPECIFICATION</small>				
	MARKETING APPD	CP	3/7/07					
MATERIAL	PROJECT NO.	SIZE B			CAGE 61114	PART NUMBER GT-NFM-AL	REV F	
THIRD-ANGLE PROJECTION	<small>NOTICE: THE INFORMATION AND DESIGN IN THIS DOCUMENT IS THE PROPERTY OF TRANSECTOR SYSTEMS. ALL RIGHTS RESERVED.</small>			SCALE 1:1	PROD CAT RFP	DOCUMENT NAME GT-NFM-AL-C	SHEET 1	OF 1

THESE COMMODITIES, TECHNOLOGY OR SOFTWARE WERE EXPORTED FROM THE UNITED STATES IN ACCORDANCE WITH THE EXPORT ADMINISTRATION REGULATIONS. DIVERSION CONTRARY TO U.S. LAW PROHIBITED.