

IXG SERIES INSTALLATION INSTRUCTION

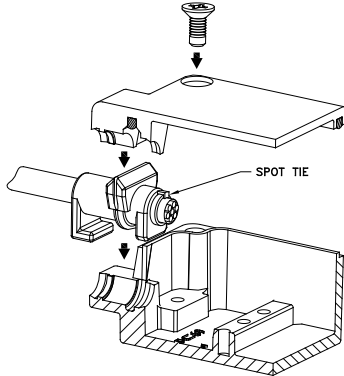
NOTICE: The IXG can be used in an indoor or outdoor environment to protect data twisted pairs.

CAUTION: Do not install during adverse weather conditions when the threat of lightning strike is possible.

Connect this unit in the direction it is labeled. Each side of the unit has been labeled SURGE and PROTECTED for this purpose and color-coded pairs are also marked. The preferred grounding method is via the 2 holes on the lid, the unit may also be grounded through mounting to a plate or bulkhead panel if attached to an earth ground system.

RECOMMENDED INSTALLATION

1. Mount the unit with two 8-32 screws. Use the template to drill 3/16 clearance hole, or tap for 8-32.
2. Match proper grommet to cable
 For cable diameters .135" to .225", use grommet with small hole.
 For cable diameters .250" to .350", use grommet with large hole.
 Feed cable through grommet as shown; Silicone lubricant is provided to ease the insertion of cable to grommet.
Warning: Cutting the grommet to install connectorized cables may compromise the environmental seal. Additional sealing tape or adhesive may be required to assure a weather tight seal.
3. Separate cable bundle, keeping twisted pairs adjacent, and strip each wire 1/8" to 1/2". Insert each wire under the screw terminal block and tighten to 2 in lbs.
4. After connecting wires to terminal blocks, seat grommets securely in box channels. Attach spot ties to prevent pullout. If using shielded cable, the shield can be grounded on the last terminal block pin marked SHIELD.
5. Be sure lid gasket is properly seated. Ensure lid mates with grommet. Secure lid using four (4) M4 screws, alternately tightening screws to bring lid down evenly.



6. Unit must be attached to Earth Ground. 5/8 on center attachment points on the lid and 1/4-20 screws are provided.
7. Specifications: Wire gauge: 16-28 AWG
 Wire Strip length: 0.25"
 Terminal Block tightening torque: 2.21 lbf-in [0.25 N-m]
 Lid screw tightening torque: 15 lbf-in [1.70 N-m]

IT IS VERY IMPORTANT THIS UNIT BE GROUNDED TO A LOW IMPEDANCE (LOW R AND LOW L) GROUND SYSTEM IN ORDER TO WORK PROPERLY.

WARNING- Do not connect during a storm! Do not connect when transmissions are occurring! Do not stay in an area that has operating equipment in an electrical storm!

These commodities or technology are exported from the U.S. in accordance with the Export Administration Regulations. Diversion contrary to U.S. law prohibited.