



7/16 F/M Bulkhead Coaxial RF Surge Protector, 800MHz - 2.3GHz, DC Block, 500W, IP67, Filter, Low PIM -155 dBc

SXBLOCK-DFM-A

Features

- Max Power 500W
- Frequency range from 800 MHz to 2.3 GHz
- Waterproof IP67 rated
- 7/16 DIN Female to 7/16 DIN Male connectors
- DC Block
- VSWR <1.2:1
- Low insertion loss
- CE & RoHS compliant
- Bidirectional

Applications

- Cellular communication systems
- Public safety systems
- Emergency response systems
- Industrial Communications

Description

RF surge protector (also known as lightning arrester or surge arrestor) SXBLOCK-DFM-A from PolyPhaser, utilizing a patented spiral inductor design enables an almost instantaneous response to a lightning surge to protect critical hardware while maintaining the RF performance. This RF surge protector component is manufactured in a coaxial in-line design with wide operating frequency range. All PolyPhaser RF surge protector products are available in stock with same day shipping.

Electrical Specifications

Surge Protector Type
DC Handling

Surge Filter
DC Block

Description	Minimum	Typical	Maximum	Units
Frequency Range	0.8		2.3	GHz
Impedance		50		Ohms
VSWR		1.1:1	1.2:1	
Insertion Loss			0.1	dB
Passive Intermodulation			-155	dBc
Input Power, CW			500	Watts
Breakdown Voltage		3,000		Vdc

Click the following link (or enter part number in "SEARCH" on website) to obtain additional part information including price, inventory and certifications:
[7/16 F/M Bulkhead Coaxial RF Surge Protector, 800MHz - 2.3GHz, DC Block, 500W, IP67, Filter, Low PIM -155 dBc SXBLOCK-DFM-A](#)

7/16 F/M Bulkhead Coaxial RF Surge Protector, 800MHz - 2.3GHz, DC Block, 500W, IP67, Filter, Low PIM -155 dBc



SXBLOCK-DFM-A

Specifications by Frequency

Description	F1	F2	F3	F4	F5	Units
Frequency Range	0.8 to 2.3	0.69 to 2.5				GHz
VSWR, Max	1.1:1	1.2:1				

Mechanical Specifications

Size

Length	3.5 in [88.9 mm]
Width/Diameter	1.45 in [36.83 mm]
Weight	1 lbs [453.59 g]

Configuration

Input Connector	7/16 DIN Female
Output Connector	7/16 DIN Male

Environmental Specifications

Temperature

Operating Range	-50 to +85 deg C
Storage Range	-50 to +85 deg C

Ingress Protection (IP) Rating	IP67
Vibration	1G at 5Hz to 100Hz

Click the following link (or enter part number in "SEARCH" on website) to obtain additional part information including price, inventory and certifications:
[7/16 F/M Bulkhead Coaxial RF Surge Protector, 800MHz - 2.3GHz, DC Block, 500W, IP67, Filter, Low PIM -155 dBc SXBLOCK-DFM-A](#)

7/16 F/M Bulkhead Coaxial RF Surge Protector, 800MHz - 2.3GHz, DC Block, 500W, IP67, Filter, Low PIM -155 dBc



SXBLOCK-DFM-A

Compliance Certifications

Plotted and Other Data

Notes:

PolyPhaser protects and increases the reliability of global RF communications networks, including transportation, telecommunications, defense, security and industrial applications, with superior RF surge protection technologies including DC Block, DC Pass and Ultra Low PIM. Backed by responsive service and expert technical support PolyPhaser continually expands its product offering and services to serve engineers' urgent needs for RF components in mission critical communication networks.

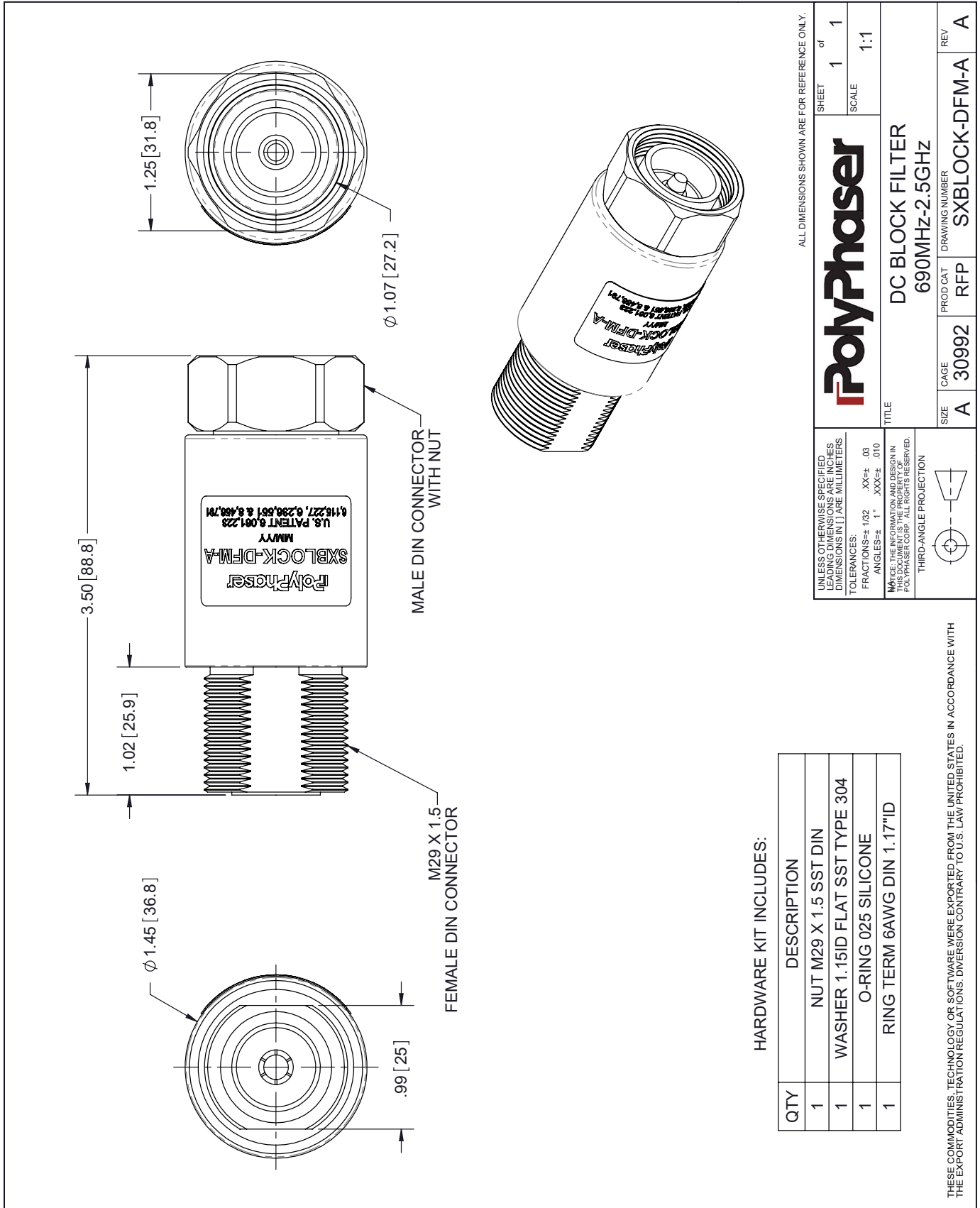
Click the following link (or enter part number in "SEARCH" on website) to obtain additional part information including price, inventory and certifications: [7/16 F/M Bulkhead Coaxial RF Surge Protector, 800MHz - 2.3GHz, DC Block, 500W, IP67, Filter, Low PIM -155 dBc SXBLOCK-DFM-A](https://www.polyphaser.com/7-16-din-surge-protector-2.3ghz-filter-sxblock-dfm-a-p.aspx)

URL: <https://www.polyphaser.com/7-16-din-surge-protector-2.3ghz-filter-sxblock-dfm-a-p.aspx>

The information contained in this document is accurate to the best of our knowledge and representative of the part described herein. It may be necessary to make modifications to the part and/or the documentation of the part, in order to implement improvements. PolyPhaser reserves the right to make such changes as required. Unless otherwise stated, all specifications are nominal. PolyPhaser does not make any representation or warranty regarding the suitability of the part described herein for any particular purpose, and PolyPhaser does not assume any liability arising out of the use of any part or documentation.

7/16 F/M Bulkhead Coaxial RF Surge Protector, 800MHz - 2.3GHz,
DC Block, 500W, IP67, Filter, Low PIM -155 dBc

SXBLOCK-DFM-A CAD Drawing



ALL DIMENSIONS SHOWN ARE FOR REFERENCE ONLY.

<p>PolyPhaser</p>		<p>SHEET 1 of 1</p>
<p>DC BLOCK FILTER 690MHz-2.5GHz</p>		<p>SCALE 1:1</p>
<p>TITLE</p>		
<p>SIZE A</p>	<p>CAGE 30992</p>	<p>PROD CAT RFP</p>
<p>DRAWING NUMBER SXBLOCK-DFM-A</p>		<p>REV A</p>
<p>UNLESS OTHERWISE SPECIFIED LEADING DIMENSIONS ARE IN INCHES DIMENSIONS IN [] ARE MILLIMETERS</p> <p>TOLERANCES: FRACTIONS: ± 1/32 XX±. 03 ANGLES: ± 1° XXX±. 010</p> <p>MADE IN THE USA. ALL DIMENSIONS IN THIS DOCUMENT IS THE PROPERTY OF POLYPHASER CORP. ALL RIGHTS RESERVED.</p> <p>THIRD-ANGLE PROJECTION</p>		

HARDWARE KIT INCLUDES:

QTY	DESCRIPTION
1	NUT M29 X 1.5 SST DIN
1	WASHER 1.15ID FLAT SST TYPE 304
1	O-RING 025 SILICONE
1	RING TERM 6AWG DIN 1.17"ID

THESE COMMODITIES, TECHNOLOGY OR SOFTWARE WERE EXPORTED FROM THE UNITED STATES IN ACCORDANCE WITH THE EXPORT ADMINISTRATION REGULATIONS. DIVERSION CONTRARY TO U.S. LAW PROHIBITED.