

DATA LINE SURGE PROTECTION

IX Series

Configurable, modular, weatherized, twisted pair data line surge protection for up to five pairs.



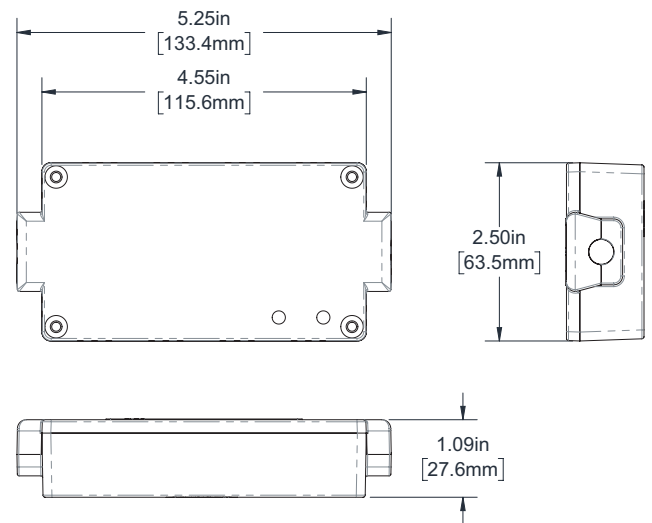
FEATURES

- DC modules optimized to 12, 24, 48,56 or 72 Vdc
- Dataline mudules optimized for POTS, Telco Trunk, T1/E1, RS-232, RS-422, RS-485 Ethernet or PoE
- Weatherized enclosure
- Available with isolated ground
- SMCP-OD pair configuration available
- Boards available in bags of 50
- Pole mount kit offered

STANDARDS

- UL 497 B
- GR-1089
- RoHS Compliant

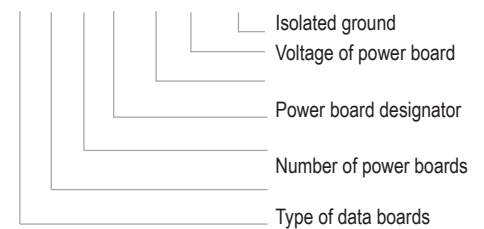
DIMENSIONS



PART NUMBER MATRIX

Board	Application	Turn on Voltage	Series Impedance	Capacitance (Differential)	Capacitance (Common)
H	Cat5, UTP, STP	+9 Vdc ± 10%	1 Ohm ±20 %	30 pF Typical	15 pF Typical
L	T1/E1, RS-232, RS-422, RS-485	±12 Typical	1 Ohm ±20 %	100 pF Typical	100 pF Typical
M	RS-232	±31 Typical	1 Ohm ±20 %	100 pF Typical	100 pF Typical
N	PoE	±64 Typical	1 Ohm ±20 %	50 pF Typical	50 pF Typical
P	POTs/ext Lines	±110Typical	1 Ohm ±20 %	40 pF Typical	40 pF Typical
T	Ring Voltage, DSL, ADSL, HDSL	±210Typical	1 Ohm ±20 %	30 pF Typical	30 pF Typical
DC 12-IG	12 Vdc Power	+18 Vdc ± 10%	0.05 Ohm ±20 %	N/A	N/A
DC 24-IG	24 Vdc Power	+33 Vdc ± 10%	0.05 Ohm ±20 %	N/A	N/A
DC 48-IG	48 Vdc Power	+56 Vdc ± 10%	0.05 Ohm ±20 %	N/A	N/A
DC 56-IG	56 Vdc Power	+68 Vdc ± 10%	0.05 Ohm ±20 %	N/A	N/A
DC 72-IG	72 Vdc Power	+82 Vdc ± 10%	0.05 Ohm ±20 %	N/A	N/A

IX-2 H 1 DC48-IG



Note: If not using either power or data boards, simply drop then from the part number

SPECIFICATIONS

IX Name/Number	IX-1T	IX-2H1DC56-IG	IX-2H1DC24-IG	IX-2H1DC48-IG	IX-2L	IX-2T
Performance						
Application	xDSL	PoE	PoE	PoE	T1/E1 or RS-422/ RS-485	Dual Telco Trunk
Data Rate	Up to 25 Mb/s	10/100 Mb/s	10/100 Mb/s	10/100 Mb/s	Up to 25 Mb/s	Up to 25 Mb/s
Data Turn On @ 10 mA	±210 Vdc	±9 Vdc ±10% per board	±9 Vdc ±10%	±9 Vdc ±10%	±12 Vdc ±10%	±210 Vdc ±10%
Data Series Resistance	1.0 Ohm ±20%					
Data Voltage Protection 100 Vdc/sec	< ±260 Vdc	< ±9.6 Vdc	< ±9.6 Vdc	< ±9.6 Vdc	< ±13 Vdc	< 260 Vdc
DC Nominal Voltage	N/A	±56 Vdc	±24 Vdc	±48 Vdc	N/A	N/A
DC Turn On @ 2 A	N/A	±68 Vdc ±10 %	±33 Vdc ±10 %	±56 Vdc ±10 %	N/A	N/A
DC Voltage Protection 100 Vdc/sec	N/A	< ±75 Vdc	< ±34 Vdc	< ±58 Vdc	N/A	N/A
DC Series Resistance	0.05 Ohms ±20%					
Max Surge Current	100 A @10/1000 µs per Telecordia GR-1089					
Mechanical						
Max Dimensions - H x W x D	1.1" x 5.2" x 2.5", 2.8 cm x 13.3 cm x 6.3 cm					
Weight (Max) lb, kg	0.65, 0.29					
Environmental						
Operating Temperature	-40°C to +65°C					