

Type N F/F Bulkhead Coaxial RF Surge Protector, DC - 3GHz,
40W, IP67, 60 V Max., 500uJ, 4kA, Gas Discharge Tube



DT-NFF

Features

- Surge current of 4kA
- Max Power 40W(RMS)
- Frequency range from DC to 3 GHz
- N-type Female connectors
- Waterproof IP67 rated
- DC Pass
- VSWR <1.2:1
- CE & RoHS compliant
- Bidirectional

Applications

- WiFi
- GPS
- Land mobile radio

Description

RF surge protector (also known as lightning arrester or surge arrester) DT-NFF from PolyPhaser, utilizing a gas tube (GT or GDT). This RF surge protector component is manufactured in a coaxial in-line design with wide operating frequency range. All PolyPhaser RF surge protector products are available in stock with same day shipping.

Electrical Specifications

Surge Protector Type
DC Handling

Gas Discharge Tube
DC Pass

Description	Minimum	Typical	Maximum	Units
Frequency Range	DC		3	GHz
Impedance		50		Ohms
VSWR			1.2:1	
Insertion Loss			0.25	dB
Operating Voltage (DC)			60	Volts
Operating Current (DC)			6	A
Resistance (DC)			20	mOhms
Input Power, CW 40W @ 30MHz			40	Watts
Surge Current IEC 61000-4-5 8/20µs WAVEFORM			4	kA
Turn On Voltage		150 ±20%		Volts
Throughput Voltage <100V PEAK WITH 8/20µsec 4kA SURGE PULSE			100	Volts

Click the following link (or enter part number in "SEARCH" on website) to obtain additional part information including price, inventory and certifications:
[Type N F/F Bulkhead Coaxial RF Surge Protector, DC - 3GHz, 40W, IP67, 60 V Max., 500uJ, 4kA, Gas Discharge Tube DT-NFF](#)

Type N F/F Bulkhead Coaxial RF Surge Protector, DC - 3GHz,
40W, IP67, 60 V Max., 500uJ, 4kA, Gas Discharge Tube



DT-NFF

Throughput Energy 8/20µsec 4kA SURGE PULSE	500	uJ
Sparkover Impulse Voltage 500 Volts @ 1000V/µs	500	Volts
Sparkover Voltage (DC)	150 ±20%	Volts
Holdover Voltage 80 Volts @ <150ms	80	Volts

Specifications by Frequency

Description	F1	F2	F3	F4	F5	Units
Frequency Range	DC to 1	1 to 3				GHz
VSWR, Typ	1.1:1	1.2:1				
Insertion Loss, Max	0.1	0.25				dB

Mechanical Specifications

Size

Length	2.89 in [73.41 mm]
Width/Diameter	1.2 in [30.48 mm]
Weight	0.2 lbs [90.72 g]

Configuration

Input Connector	N Female
Output Connector	N Female

Environmental Specifications

Temperature

Operating Range	-50 to +85 deg C
Ingress Protection (IP) Rating	IP67
Humidity	95%, Non-condensing, 100% external

Compliance Certifications

RoHS

Click the following link (or enter part number in "SEARCH" on website) to obtain additional part information including price, inventory and certifications:
[Type N F/F Bulkhead Coaxial RF Surge Protector, DC - 3GHz, 40W, IP67, 60 V Max., 500uJ, 4kA, Gas Discharge Tube DT-NFF](#)

Type N F/F Bulkhead Coaxial RF Surge Protector, DC - 3GHz,
40W, IP67, 60 V Max., 500uJ, 4kA, Gas Discharge Tube



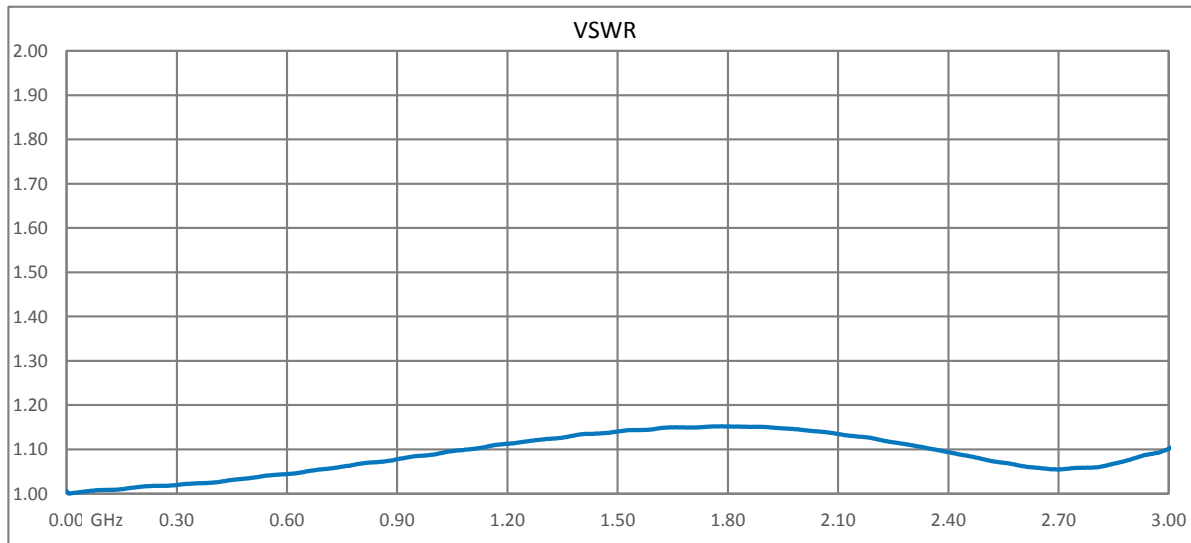
DT-NFF

CE

Plotted and Other Data

Notes:

Typical Performance Data



Click the following link (or enter part number in "SEARCH" on website) to obtain additional part information including price, inventory and certifications:
[Type N F/F Bulkhead Coaxial RF Surge Protector, DC - 3GHz, 40W, IP67, 60 V Max., 500uJ, 4kA, Gas Discharge Tube DT-NFF](#)

Type N F/F Bulkhead Coaxial RF Surge Protector, DC - 3GHz,
40W, IP67, 60 V Max., 500uJ, 4kA, Gas Discharge Tube



DT-NFF



PolyPhaser protects and increases the reliability of global RF communications networks, including transportation, telecommunications, defense, security and industrial applications, with superior RF surge protection technologies including DC Block, DC Pass and Ultra Low PIM. Backed by responsive service and expert technical support PolyPhaser continually expands its product offering and services to serve engineers' urgent needs for RF components in mission critical communication networks.

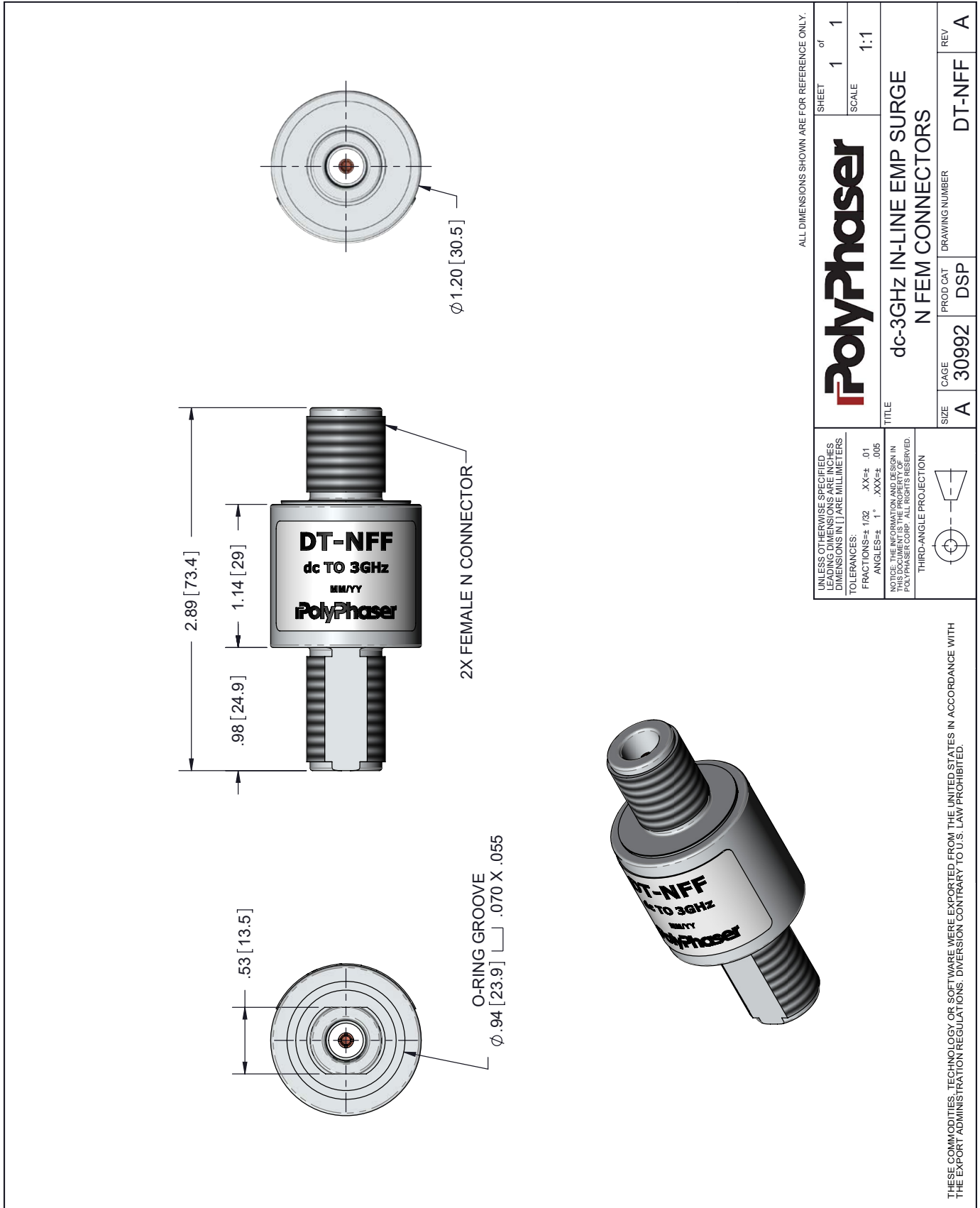
Click the following link (or enter part number in "SEARCH" on website) to obtain additional part information including price, inventory and certifications: [Type N F/F Bulkhead Coaxial RF Surge Protector, DC - 3GHz, 40W, IP67, 60 V Max., 500uJ, 4kA, Gas Discharge Tube DT-NFF](https://www.polyphaser.com/type-n-surge-protector-3ghz-3ghz-gas-discharge-tube-dt-nff-p.aspx)

URL: <https://www.polyphaser.com/type-n-surge-protector-3ghz-3ghz-gas-discharge-tube-dt-nff-p.aspx>

The information contained in this document is accurate to the best of our knowledge and representative of the part described herein. It may be necessary to make modifications to the part and/or the documentation of the part, in order to implement improvements. PolyPhaser reserves the right to make such changes as required. Unless otherwise stated, all specifications are nominal. PolyPhaser does not make any representation or warranty regarding the suitability of the part described herein for any particular purpose, and PolyPhaser does not assume any liability arising out of the use of any part or documentation.

Type N F/F Bulkhead Coaxial RF Surge Protector, DC - 3GHz, 40W,
 IP67, 60 V Max., 500uJ, 4kA, Gas Discharge Tube

DT-NFF CAD Drawing



ALL DIMENSIONS SHOWN ARE FOR REFERENCE ONLY.

UNLESS OTHERWISE SPECIFIED, LEADING DIMENSIONS ARE IN INCHES DIMENSIONS IN [] ARE MILLIMETERS		SHEET 1 of 1	
TOLERANCES: FRACTIONS: ± 1/32 XX±.01 ANGLES: ± 1° .XXX±.005		SCALE 1:1	
TITLE			
POLYPHASER IN-LINE EMP SURGE N FEM CONNECTORS		PROD CAT	REV
SIZE	CAGE	DSP	DT-NFF
A	30992		A

THESE COMMODITIES, TECHNOLOGY OR SOFTWARE WERE EXPORTED FROM THE UNITED STATES IN ACCORDANCE WITH THE EXPORT ADMINISTRATION REGULATIONS. DIVERSION CONTRARY TO U.S. LAW PROHIBITED.