

DATA LINE SURGE PROTECTION

DPR Series

Multi-Protocol Equipment Protector

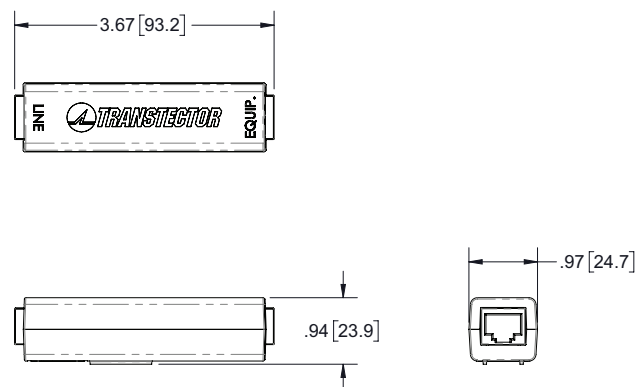
Transtector DPR Series provides a full range of data line protection for Point to Point, Wi-Fi, WISP, backhaul and PoE enabled terminal applications. The DPR product family offers gas tube, SASD and hybrid technology options providing superior cost effective commercial grade surge protection for data speeds up to 1 Gb/s.



FEATURES

- Multiple data rates and PoE applications – T1/E1, GbE, PoE, PoE+ and PoE++
- Cost effective, light weight, easy to install and replace data line surge protection
- Versatile mounting options – DIN rail, wall or rack mount
- Snap, click and install/replace – installation takes under a minute
- Secure ground point through DIN rail clip
- Shielded and Unshielded RJ 45 jack options
- Mounting hardware included with each product
- Short lead times with quantity discounts

DRAWINGS



SPECIFICATIONS

DPR Series	DPR Ethernet	DPR T1/E1	DPR-Base	DPR-Lite	DPR-Fit
DPR Part Number	1101-828-1	1101-830-1	DPR-B120	DPR-L130	DPR-F140
Protocol	100 Mb/s	T1/E1	GbE, PoE	GbE, PoE, PoE+	GbE, PoE, PoE+, PoE++
Technology	SASD	SASD	GDT	GDT	Hybrid GDT, SASD
Pins Protected	(1,2) (3,6) (4,5) (7,8)	(1,2) (4,5)	(1,2) (3,6) (4,5) (7,8) Shield	(1,2) (3,6) (4,5)(7,8) Shield	(1,2) (3,6) (4,5) (7,8) Shield
Protection Modules	L-L	L-L	L-G, S-G	L-G, S-G	L-G, L-L, S-G
Nominal Voltage	5 V	3 V	48 Vdc	48 Vdc	48 Vdc
MCOV	6 Vpk	6 Vpk	60 Vdc	60 Vdc	60 Vdc
Surge Suppression	<50 Vpk @ 100 A 10/1000µs	<50 Vpk @ 100 A 10/1000µs	NA	NA	<75 Vpk @ 100 A 8/20µs
Connectors	RJ 45 Cat 5	RJ 45 Cat 5	RJ 45 Cat5e shielded	RJ 45 Cat5e shielded	RJ 45 Cat5e shielded
Weight	.20 lb.	.20 lb.	.20 lb.	.20 lb.	.20 lb.
Dimensions (in)	0.94 x 0.97 x 3.67	0.94 x 0.97 x 3.67	0.94 x 0.97 x 3.67	0.94 x 0.97 x 3.67	0.94 x 0.97 x 3.67
Operating Temperature	-40°C to +75°C	-40°C to +75°C	-40°C to +75°C	-40°C to +75°C	-40°C to +75°C
Standards	RoHS	RoHS	UL 497B, RoHS, CE, IEC 60950-1	UL 497B, RoHS, CE, IEC 60950-1	UL 497B, RoHS, CE, IEC 60950-1
Warranty	10 year	10 year	1 year	2 year	3 year

For additional information on network quantity discounts or to request a product sample for evaluation contact us at + 1 208 772 8515 or visit www.transtector.com.